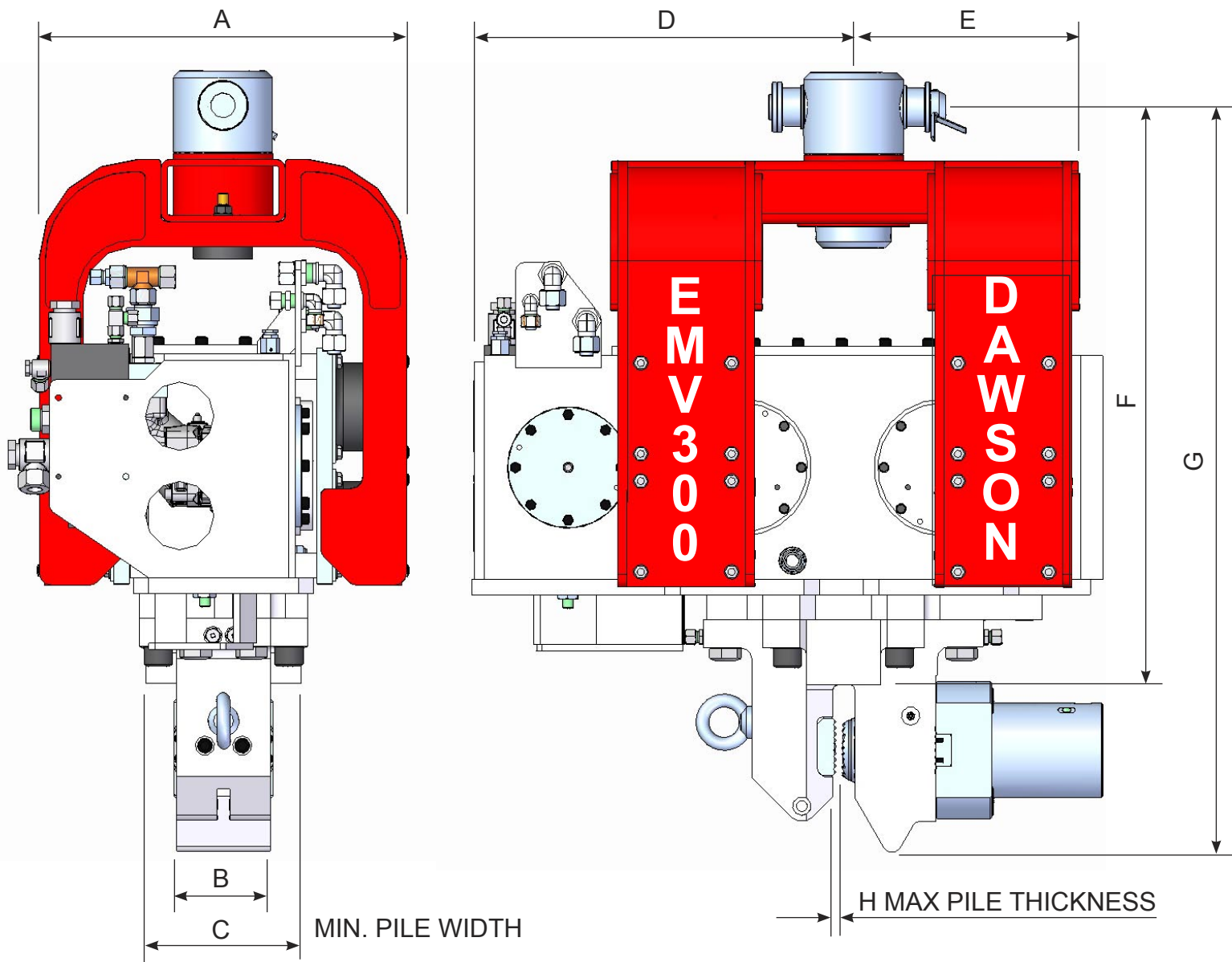
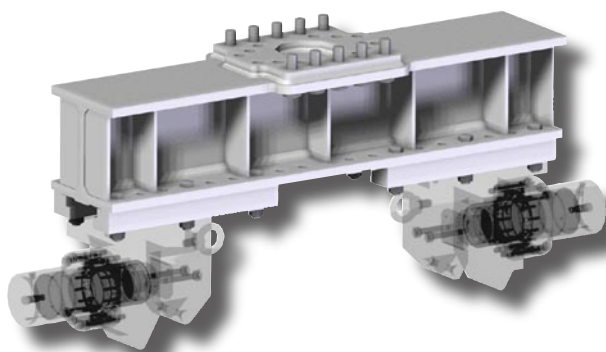


EMV300 EXCAVATOR MOUNTED VIBRATOR BASIC TECHNICAL SPECIFICATIONS

SPECIFICATIONS	EMV300	
UNITS	METRIC	US
STATIC MOMENT	4.6 Kg.M	400 lbs.in
FREQUENCY	2400 r.p.m	
CENTRIFUGAL FORCE	300 KN	67,420 lbs.F
AMPLITUDE	14.7 mm	0.58 ins
MIN. HYDRAULIC FLOW RATE	130 l/min	35 gpm
MAX. HYDRAULIC FLOW RATE	250 l/min	67 gpm
MAX. HYDRAULIC PRESSURE	350 bar	5,076 psi
MIN. HYDRAULIC POWER	60 KW	80 hp
DYNAMIC MASS	625 Kg	1,380 lbs
TOTAL MASS	965 Kg	2,123 lbs
MAX. PILE MASS	800 Kg	1,760 lbs
MAX. PUSH/PULL FORCE	15,000 Kg	33,000 lbs
CLAMP FORCE	36 Tonne	



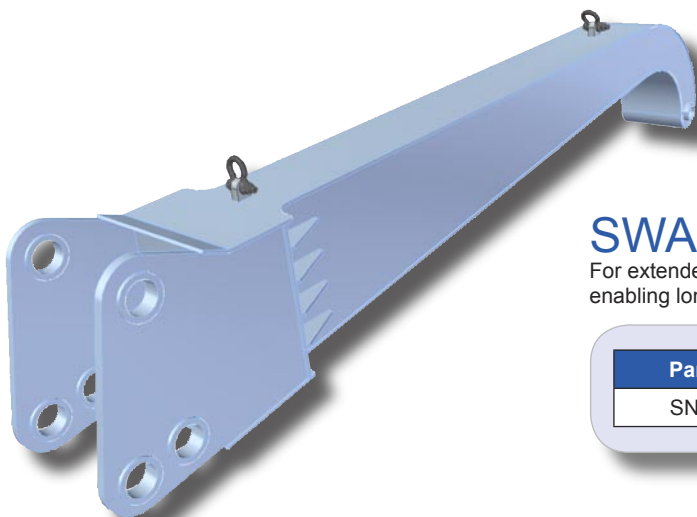
DIMENSIONS	A	B	C	D	E	F	G	H
mm	615	150	250	582	429	927	1200	25
ins	24.2	6	10	23	17	36.5	47.25	1



CAISSON BEAM

Caisson beam jaw assemblies can be positioned to suit any tube size between Ø550 & Ø1100mm.

Part Number	Caisson Beam Assembly
4900	



SWAN NECK

For extended reach and greater pile clearance on your excavator arm, enabling longer piles to be driven.

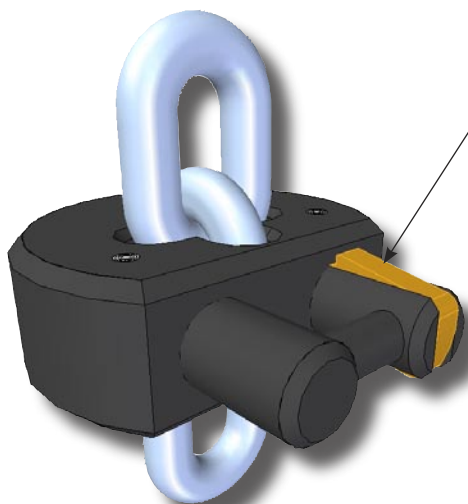
Part Number	Swan Neck
SN01-000-01	



QUICK HITCH ADAPTOR

When an excavator has a guide hitch fitted and a double acting breaker to supply the EMV, the Dawson quick hitch adaptor bracket supplies fast, easy connection to the end equipment while maintaining the same degree of movement.

Part Number	Quick Hitch Adaptor
4586	



NEW ADDITIONAL SAFETY LATCH

CHAIN CLAMP

For all lifting applications. The unit indexes along the links of the chain and locks into place giving a quick and simple chain lock for lifting.

Features

- SWL of 2000kg for the 8mm chain clamp
3200kg for the 10mm chain clamp
- Robust high strength steel body
- Designed to withstand vibration - no screws or bolts!
- Minimal parts for durability
- Proof loading to twice the safe working load
- Quick coupling and release from load

Part Number	Chain Type	Safe Working Load
TLR 360	10mm	3.2 Tonnes
4082	8mm	2 Tonnes