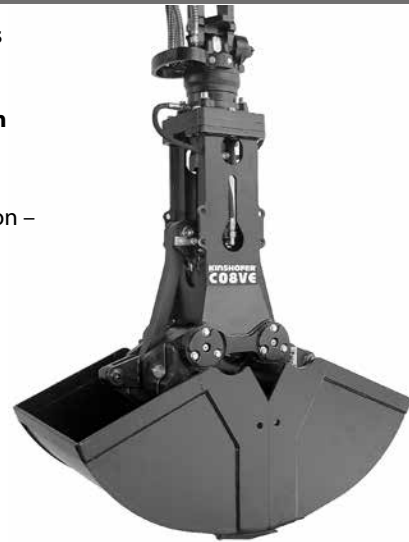


Clamshell Bucket with Exchangeable Shells

C08VE

Clamshell Bucket with exchangeable shells and vertical cylinder for excavators from 4t / 8800 lbs to 8t / 17600 lbs operating weight – through quick and easy exchange of shells ideal for different applications, for excavation operations, landscaping, trench digging, handling of logs etc. The shells can be changed in less than four minutes.

- Economic solution as only the shells have to be exchanged for another application – bucket carrier, hydraulic cylinder and bearings are integrated into the unit.
- Long life is ensured due to the use of 500 HB steel in the manufacture of cutting edges.
- Reduced wear resulting from generously dimensioned bearing system.
- Excellent digging characteristics are the result of high closing forces (26 kN / 5720 lbf at an operating pressure of 32 MPa / 4608 psi).



Clamshell Bucket C08VE								
Type	Width E (mm/in)	Opening A* (mm/in)	Height C max.* (mm/in)	Height C min.* (mm/in)	Volume (litre/c.y.)	Number of teeth	Self weight (kg/lbs)	Load capacity (kg/lbs)
C08VE-32	325 / 12.80	1330 / 52.36	1520 / 59.84	1380 / 54.33	115 / 0.15	3	330 / 726	3000 / 6600
C08VE-40	400 / 15.75	1330 / 52.36	1520 / 59.84	1380 / 54.33	145 / 0.19	3	335 / 737	3000 / 6600
C08VE-50	500 / 19.69	1330 / 52.36	1520 / 59.84	1380 / 54.33	185 / 0.24	5	345 / 759	3000 / 6600
C08VE-60	600 / 23.62	1330 / 52.36	1520 / 59.84	1380 / 54.33	220 / 0.29	5	355 / 781	3000 / 6600
C08VE-80	800 / 31.50	1330 / 52.36	1520 / 59.84	1380 / 54.33	300 / 0.39	9	390 / 858	3000 / 6600

Package consists of: clamshell bucket, bolt-on teeth, **KINSHOFER** rotator, non-return valve and hose guard *incl. teeth

Exchangeable Shells C08VE-S						
Type	Width E (mm/in)	Volume (litre/c.y.)	Number of teeth	Self weight (kg/lbs)	Load capacity (kg)	
C08VE-32S	325 / 12.80	115 / 0.15	3	130 / 286	3000 / 6600	
C08VE-40S	400 / 15.75	145 / 0.19	3	135 / 297	3000 / 6600	
C08VE-50S	500 / 19.69	185 / 0.24	5	145 / 319	3000 / 6600	
C08VE-60S	600 / 23.62	220 / 0.29	5	155 / 341	3000 / 6600	
C08VE-80S	800 / 31.50	300 / 0.39	9	190 / 418	3000 / 6600	

Please note: exchangeable shells for special applications on request

KINSHOFER Rotator			
Continuous rotation and two oil passages. Overload protection is ensured by pressure relief valves.			
Type	Upper connection (width x pin-Ø) (mm/in)	Torque (Nm/ft.lbs)	Moment of deflection max. (Nm/ft.lbs)
KM 04 F140-30USE	84 x 30 / 3.31 x 1.18	1000 / 740	8500 / 6270

Accessories	
Type	Description
KM 501 1t-8t	upper suspension without pendulum damper
KM 511 1t-8t	upper suspension with pendulum damper
SW03 cardanic	adapter for Lehnhoff grab exchange system SW/MS03 without suspension – up to 5t / 11000 lbs
SW08 cardanic	adapter for Lehnhoff grab exchange system SW/MS08 without suspension – up to 12t / 26400 lbs
KM 680 5t-8t	scraper

Requirements of Excavator	
Operating pressure (open/close):	max. 32 MPa (320 bar) / 4608 psi
Pump capacity (open/close):	40 - 90 l/min / 10.57 - 23.78 GPM
Operating pressure (rotation):	max. 32 MPa (320 bar) / 4608 psi
Pump capacity (rotation):	15 - 50 l/min / 3.96 - 13.21 GPM

Technical Drawings

