

TR06NOX

Tiltrotator

Experience and innovation have led to one of the most advanced tools for excavators – the **NOX Tiltrotator**: continuous 360° rotation and a tilting angle of 2 x 50° make it a universal joint. Combined with a quick change system and various attachments this means highest efficiency at any construction site.

The **NOX Tiltrotator** range is optimally engineered to suit excavators with an operating weight from 3t / 6600 lbs to 6t / 13200 lbs.

Advantages:

- **Precision and safety** due to „smooth“ proportional control (optional).
- **High stability and long service life** thanks to special cast housing.
- **Low overall height** thanks to elliptic rotary actuator: large travel.
- **High and constant tilting force** due to cylinderless rotary actuator.
- **No protruding parts**: excavation with narrow bucket possible in small, deep canals, even under or in between existing tubes.
- **Low maintenance**: worm drive lubricated permanently (grease).



Tiltrotator Type	TR06NOX			
	unit	DF10	DF4	CSP
Machine size	t/lbs	3 - 6 / 6600 - 13200		
Breaking force max. (ISO)	kN/lbf	35 / 7700		
Bucket width max.	mm/in	1300 / 51.2		
Weight (from) ¹⁾	kg/lbs	120 / 264		
Width A ¹⁾	mm/in	187 / 7.4		
Length B ¹⁾	mm/in	500 / 19.7		
Height C ¹⁾	mm/in	370 / 14.6		
Tilt angle	°	2 x 50		
Tilt torque	Nm/ft.lbs	8500 / 6269		
Rotation speed	1/min	9 at 40 l/min / 10.6 GPM		
Rotation torque	Nm/ft.lbs	4500 / 3319 constant at 360° continuous		
Oil flow extra function 1/2 max.	l/min / GPM	35 / 9.3		
Hydraulic pressure max.	MPa/psi	rotation: 20 / 2880 tilt: 25 / 3600	rotation: 20 / 2880 tilt: 25 / 3600	25 / 3600
Recommended pressure in return line	MPa/psi	1 / 144		
Number of swivel channels extra function	number	4	2	4
Number of swivel channels quick coupler	number	2		

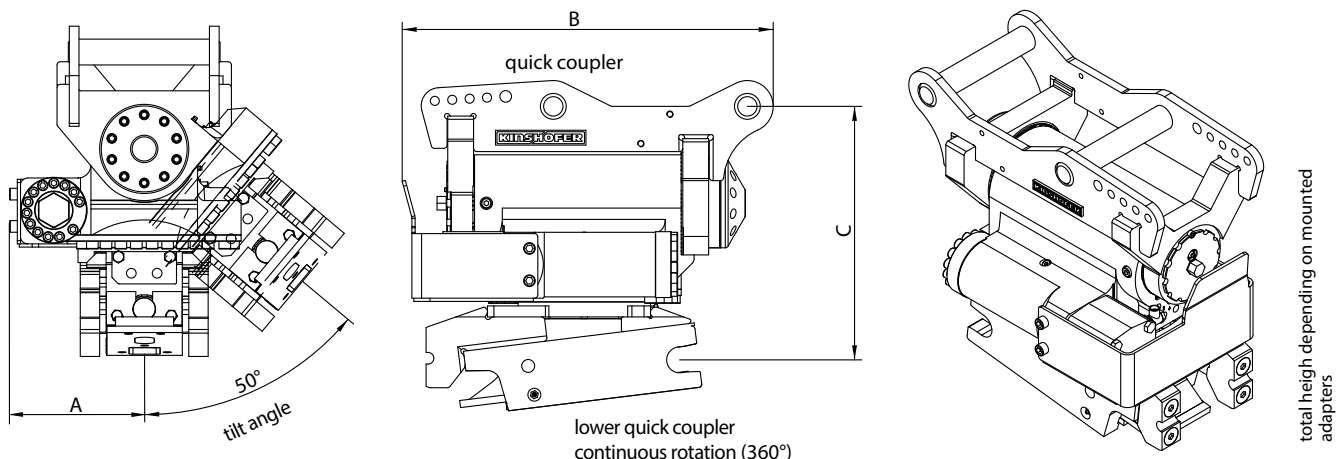
¹⁾ reference: TR06NOX S40/S40

Controls

Type	Description
CSP ²⁾ SVAB	SVAB RT controller, tilt and rotation are controlled by proportional solenoid valves and can be run simultaneously, extra function and quick coupler are controlled by on/off valves
CSP ²⁾ NOXPROP	NOXPROP controller, tilt, rotation and extra function are controlled by proportional solenoid valves and can be run simultaneously, quick coupler is controlled by on/off valves, separate display module, easy and fast installation
DF4 ³⁾	- tilt function, extra 1 (extra 2 as an option) and quick-coupler are controlled by changing over between the functions of circuit 1 - rotation function is controlled by circuit 2
DF10 ⁴⁾	for each function (rotate, tilt, quick change, extra 1, extra 2) separate double acting hydraulic circuit on excavator dipper

* two hydraulic circuits needed; ²⁾ installation of **KINSHOFER** comfort control ³⁾ installation of control, original joysticks remain ⁴⁾ original excavator control remains

Control System CSP consists of: controlbox, 2 joystick grips, wiring from joysticks to Tiltrotator, proportional pressure control valve, display



Attachments / Sets / Mounting Options

TR06NOX

Especially adapted to the TR06NOX, there are different attachments and sets available.

Below you will find a set of the most common buckets used on the TR06NOX as well as the different available mounting options.

In combination with the **NOX** Tiltrotator, a large variety of possibilities is provided to make your carrier machine work more efficiently - in more than 3 dimensions ...

Find different tool examples on the last pages.

For more possible tool combinations, please see our catalogs

- ① CONSTRUCTION - GENERAL CONSTRUCTION
- ② CONSTRUCTION - LANDSCAPING & SNOW REMOVAL

Gripper

- Always mounted to the tiltrotator, no dismantling necessary when working with other attachments.
- For handling posts, tubes, pallets, rocks, sewer cover, etc.
- Available for **S40 lower quick coupler** (others on request).

Bucket Set includes

- **SKP Grading Bucket** cleans up and shapes sites.
- **SKD Backhoe Bucket** for trenching.
- **SKK Trench Bucket** for narrow cable channels.

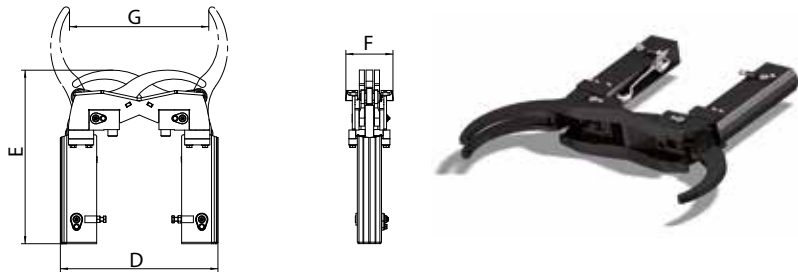


Gripper

Type	Lower quick coupler	Self weight (approx. kg/lbs)	Dimensions D x E x F (mm/in)	max. Opening width G (mm/in)	Closing time ¹⁾ (sec.)	Closing force (kN/ft.lbs)	Load capacity (kg/lbs)
TRG06	S40	40 / 88	470 x 515 x 140 / 18.50 x 20.28 x 5.51	415 / 16.34	1.5	7,5 / 5530	300 / 660

¹⁾ at 25 l/min. / 6.61 GPM

Technical Drawing



Bucket Set incl. SKP 6 / SKD 6 / SKK 6

Type	Self weight (approx. kg/lbs)	Width (mm/in)	Volume (litre/c.y.)	with Quick change adapter
SKP 6 Grading Bucket	130 / 286	1300 / 51.18	300 / 0.39	S40
SKD 6 Backhoe Bucket (incl. teeth)	150 / 330	720 / 28.35	280 / 0.37	S40
SKK 6 Trench Bucket	75 / 158	300 / 11.81	160 / 0.21	S40

Tiltrotator TR06NOX Mounting Options

Type	Upper bracket	Lower quick coupler
S-Coupler S-Lock	direct mount or S40	S40
S-Coupler S-Lock	direct mount or S45/S50	S45/S50
Oilquick	direct mount or OQ40	OQ40
Hydrema	direct mount or Hydrema	Hydrema
Kinshofer L-Lock	direct mount or KSW03	KMS03
Kinshofer L-Lock	direct mount or KSW03	KHS03
Kinshofer X-Lock	direct mount or CMX	CMX
Verachttert	direct mount or CW05	CW05
Verachttert	direct mount or CW10	CW10
Martin	direct mount or MH10	MH10