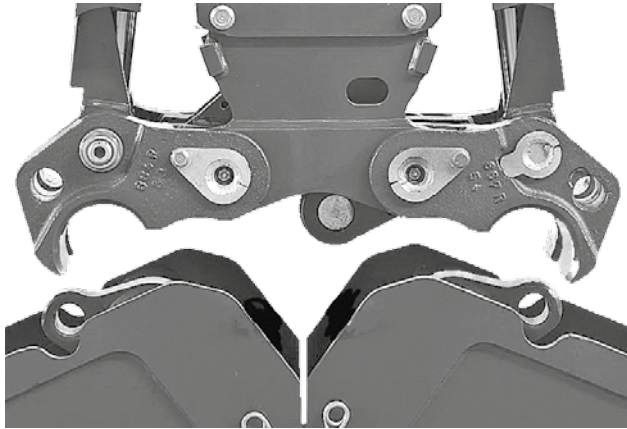


KINSHOFER Exchangeable Shell System

C-VE

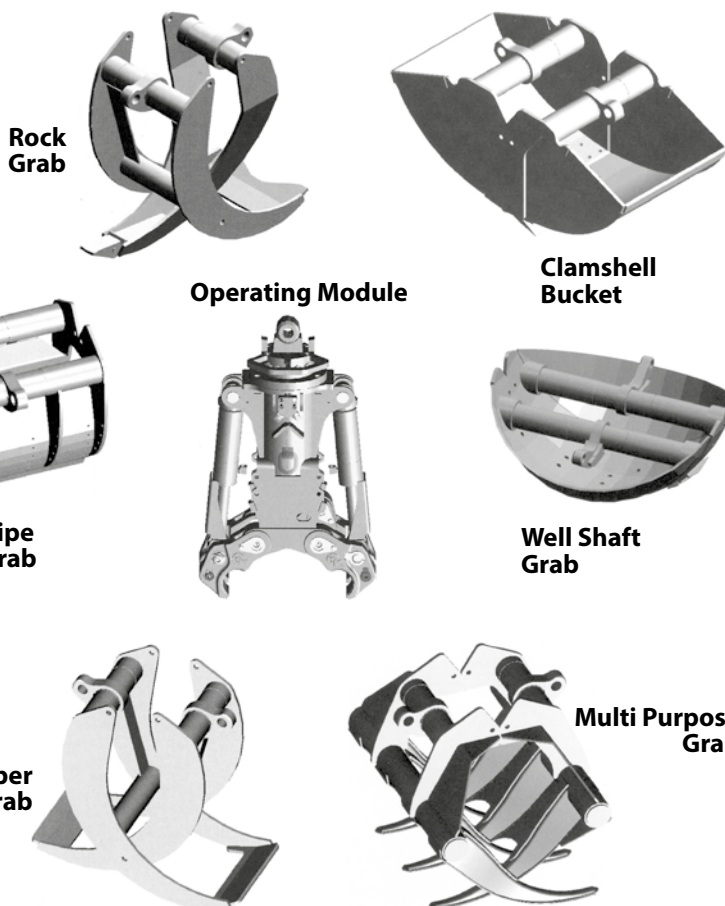
Robust grabs for excavators with revolutionary exchange system in a single device. As a new demand on site arises, the attachment can be exchanged and the new application can commence. Easy remounting of shells for excavating, landscaping, laying pipes, logging, rail track handling etc.

- **Efficiency:** only the shells are replaced; exchange is possible with only one person.
- **Fastness:** easy exchange of the lynch pin from the change-over system within 4 minutes, no hydraulic work necessary.
- **Robust technics:** compact design through the integrated rotator. Robust shell bearing with coexisting change mechanism.



Clamshell buckets with exchangeable shells are available for:

- excavators up to 8t/17600 lbs: C08VE/ T08VE/ R08VE and other exchangeable shells
- excavators up to 12t/26400 lbs: C12VE/ T12VE/ R12VE and other exchangeable shells
- excavators up to 18t/39600 lbs: C18VE/ T18VE/ R18VE and other exchangeable shells
- excavators up to 25t/55000 lbs: C25VE and other exchangeable shells



Rock Grab

Operating Module

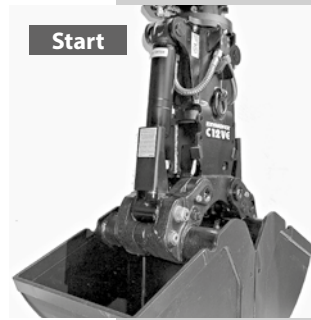
Clamshell Bucket

Pipe Grab

Well Shaft Grab

Timber Grab

Multi Purpose Grab



Start

Close bucket and set it down.
Mount the exchange support.



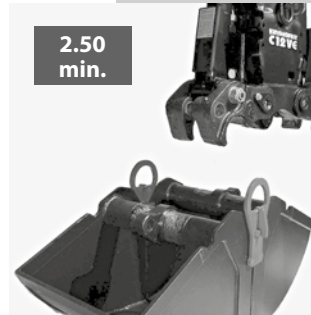
0.58 min.

Remove the lynch pin from the change-over system



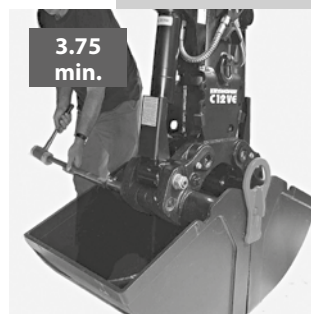
1.67 min.

Remove the change-over pin with extraction tool.



2.50 min.

Position the bucket carrier over the new attachment and close the locking unit hydraulically.



3.75 min.

Insert the change-over pin and fasten the lynch pin.



4 min. finished!

Remove the exchange support. Ready for use!